

WARN INDUSTRIAL HOIST

WINCH MODEL

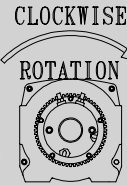
DC2000

PART NUMBER

PN 33476

TYPE

24V ELECTRIC



02/18/03

The DC2000 features a compact frame for mounting flexibility and light weight. A powerful series wound motor combined with a deep 261:1 gear ration results in an excellent duty cycle performance.

ENGINEERING DATA:

- **Maximum rated load :** 2000 lbs (907kg)
- **Maximum wire rope recommended:** 1/4" 7000 lbs (3182kg) minimum breaking strength
- **Drum barrel diameter:** 4.25" (108 mm)
- **Drum flange diameter:** 6.25" (159 mm)
- **Distance between flanges:** 4.5" (114 mm)
- **Contactors:** Industrial contactor with 12' (3.7 M) heavy duty remote control
- **Approximate shipping weight:** 40 lbs (18 kg)
- **Gear ratio:** 261:1
- **Motor:** 24 volt DC series wound 2.1 hp (1.57 KW)

STANDARDS COMPLIANCE:

- ANSI B30.5

PERFORMANCE DATA:

LAYER	LINE LOAD		LINE SPEED		1/4" (6m m) WIRE ROPE CAPACITY	
	lb.	kg	ft/m in.	m/m in.	ft.	meters
1	2000	909	20.0	6.1	20	6.1
2	1800	818	22.0	6.8	43	13.1
1 st LAYER	LINE LOAD		LINE SPEED		DUTY CYCLE	
	lb.	kg	ft/m in.	m/m in.	amps	min/10 min
	0	0	48	14.0	40	6.0
	1000	455	27	8.2	74	4.2
	1500	682	24	7.3	90	3.3
	2000	909	20	6.1	105	2.5

AVAILABLE ACCESSORIES:

- OverLoad Interrupt pn 61930

WARN INDUSTRIES, INC. INDUSTRIAL PRODUCTS

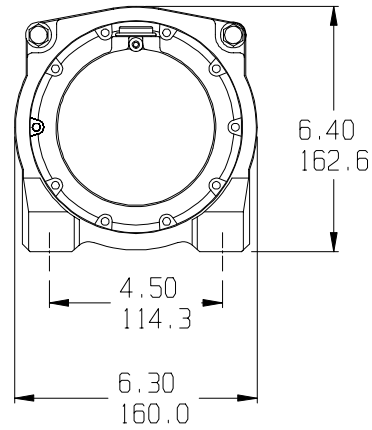
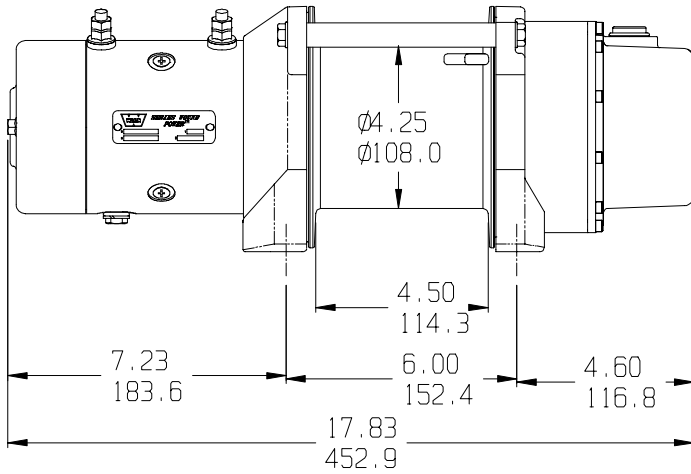
12900 S.E. Capps Road, Clackamas, OR USA 97015-8903
 Customer Service (in North America): 1.800.543.9276
 Customer Service (international): 1.503.722.3008
 Fax:1.503.722.3000 www.warn.com



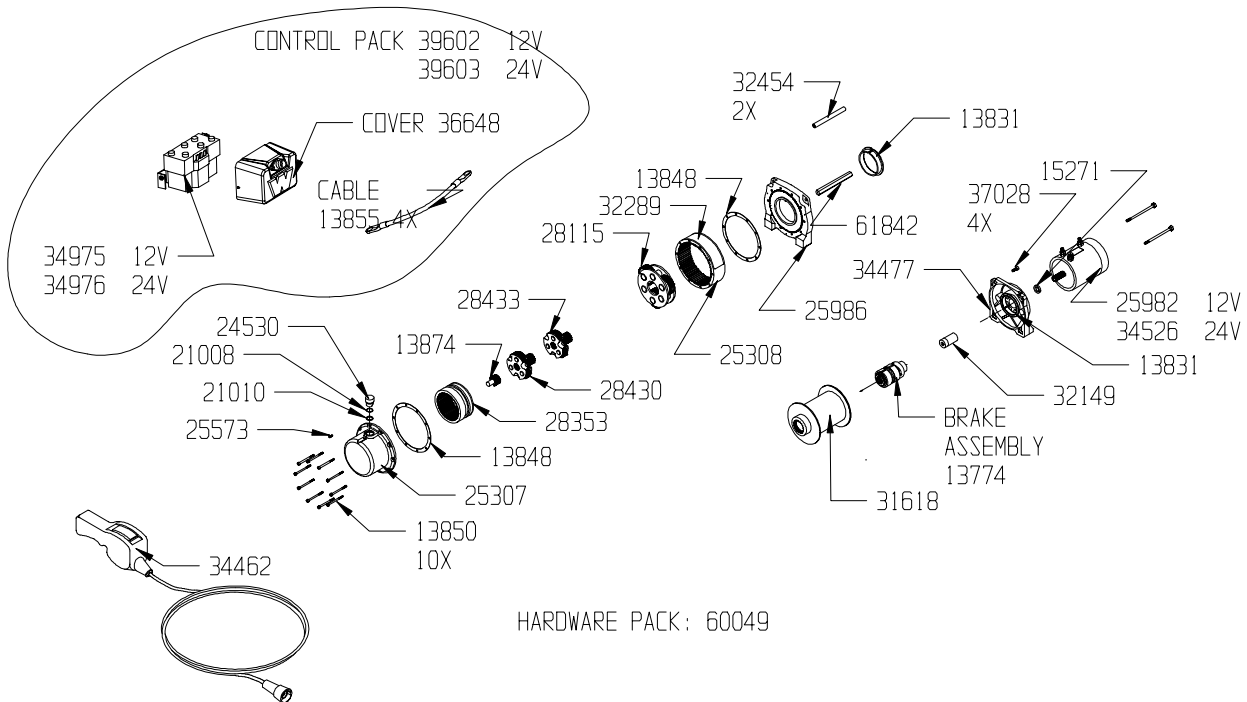
WARN INDUSTRIAL HOIST

WINCH MODEL	PART NUMBER	TYPE
DC2000	PN 33476	24V ELECTRIC

DIMENSIONAL DATA



REPLACEMENT PARTS



WARN INDUSTRIES, INC. INDUSTRIAL PRODUCTS

12900 S.E. Capps Road, Clackamas, OR USA 97015-8903
 Customer Service (in North America): 1.800.543.9276
 Customer Service (international): 1.503.722.3008
 Fax: 1.503.722.3000 www.warn.com



