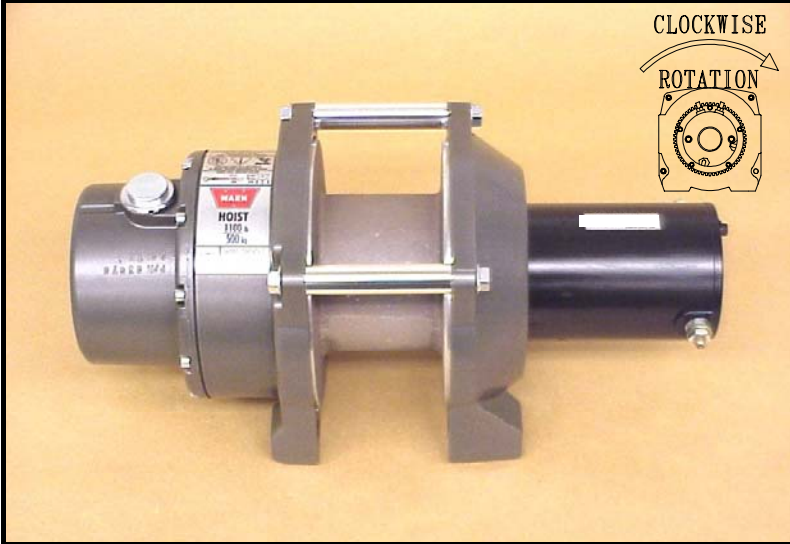


# WARN INDUSTRIAL HOIST

WINCH MODEL	PART NUMBER	TYPE
<b>DC500</b>	PN 63677	<b>24V ELECTRIC</b>



11/04/02

Rated for 500 kg, this compact hoist conforms to CE requirements. Its permanent magnet motor, 261:1 gear ratio and dual cone brake combine to ensure safe and reliable performance.

### ENGINEERING DATA:

- **Maximum rated load :** 500 kg ( 1100 lbs )
- **Maximum wire rope recommended:** 3/16" 4200 lbs (1909kg) minimum breaking strength
- **Drum barrel diameter:** 3.5" (89 mm)
- **Drum flange diameter:** 6.0" (152 mm)
- **Distance between flanges:** 2.7" (69 mm)
- **Contactors:** Industrial contactor with 12' ( 3.7 M) heavy duty remote control
- **Approximate shipping weight:** 25 lbs ( 12 kg )
- **Gear ratio:** 261:1
- **Motor:** 24 volt DC permanent magnet 1.1 hp (0.82 KW)

### STANDARDS COMPLIANCE:

- CE Electromagnetic Compatibility 89/336/EEC & 95/54/EC
- CE Machinery Directive 98/37/EEC
- ISO 4301-1, Machinery Class M3
- ISO 4301-2, Machinery Class M3
- ISO 4308-1, Machinery Class M3
- JCA Class A

### PERFORMANCE DATA:

LAYER	LINE LOAD		LINE SPEED		3/16" (5mm) WIRE ROPE CAPACITY	
	lb.	kg	ft/m in.	m/m in.	ft.	meters
1	1100	500	16.9	5.2	13	4.0
2	965	439	19.3	5.9	26	7.9
3	859	390	21.6	6.6	41	12.5
4	775	352	24.0	7.3	58	17.7
1 st LAYER	LINE LOAD		LINE SPEED		DUTY CYCLE	
	lb.	kg	ft/m in.	m/m in.	amps	min/10 min
	0	0	21.3	6.5	13	6.0
	500	227	19.5	5.9	34	4.2
	750	341	18.4	5.6	45	3.3
	1100	500	16.9	5.2	55	2.5

### AVAILABLE ACCESSORIES:

- Contactor - pn 63752
- Remote control -HD - pn 34462
- Remote control - CE - pn 63680
- OverLoad Interrupt - pn 61930

## WARN INDUSTRIES, INC. INDUSTRIAL PRODUCTS

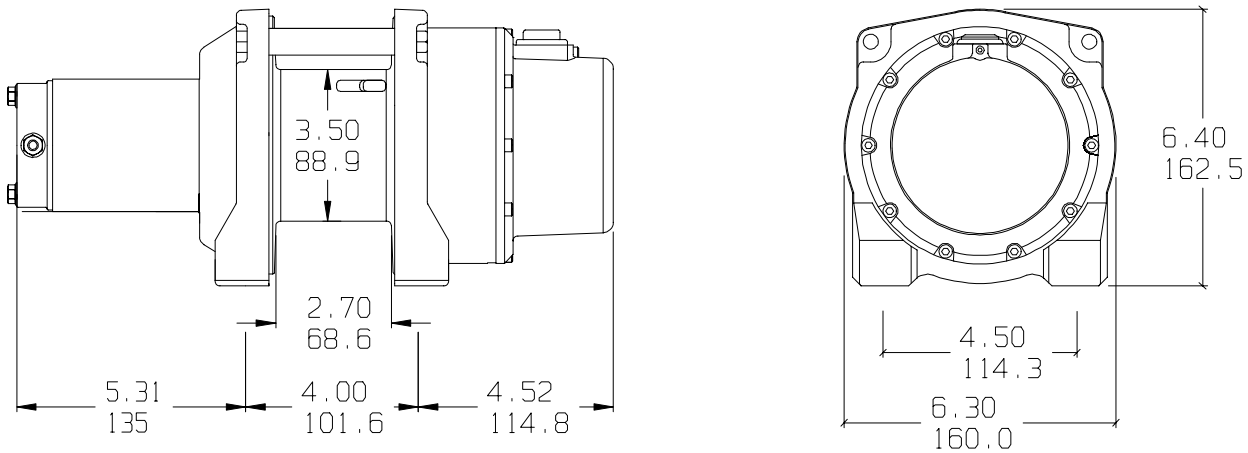
12900 S.E. Capps Road, Clackamas, OR USA 97015-8903  
 Customer Service (in North America): 1.800.543.9276  
 Customer Service (International): 1.503.722.3054  
 Fax:1.503.722.3000 www.warn.com



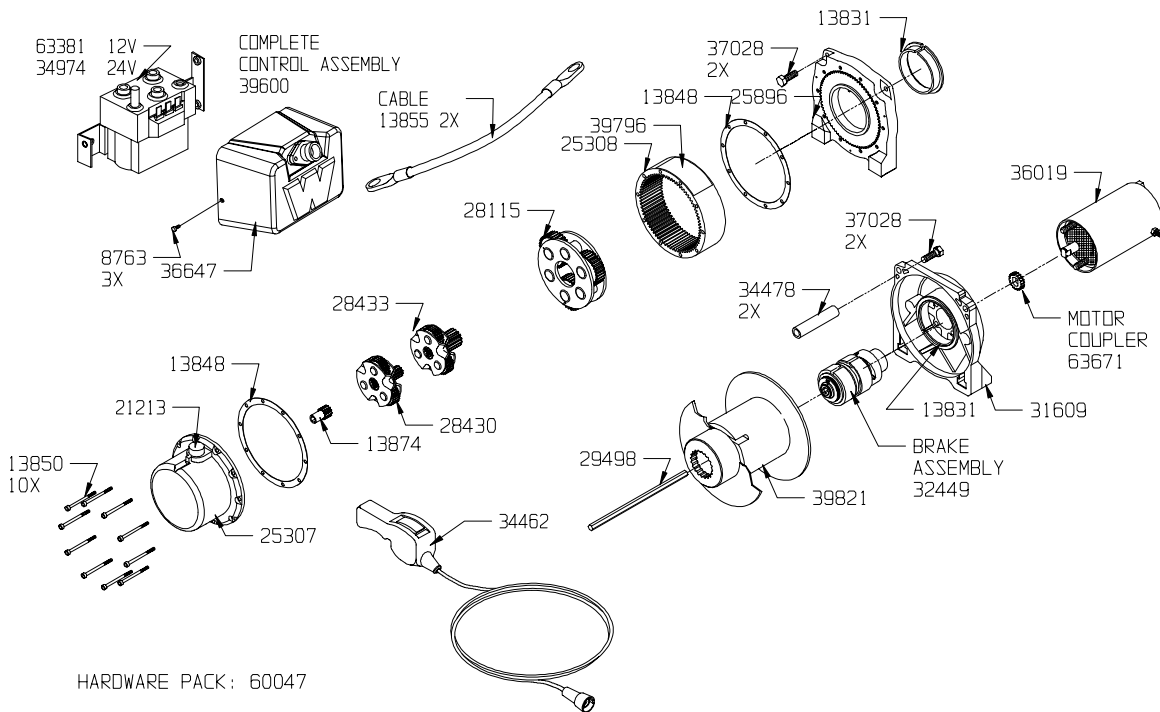
# WARN INDUSTRIAL HOIST

WINCH MODEL	PART NUMBER	TYPE
<b>DC500</b>	<b>PN 63677</b>	<b>24V ELECTRIC</b>

## DIMENSIONAL DATA



## REPLACEMENT PARTS



## WARN INDUSTRIES, INC. INDUSTRIAL PRODUCTS

12900 S.E. Capps Road, Clackamas, OR USA 97015-8903  
 Customer Service (in North America): 1.800.543.9276  
 Customer Service (international): 1.503.722.3008  
 Fax: 1.503.722.3000 www.warn.com

